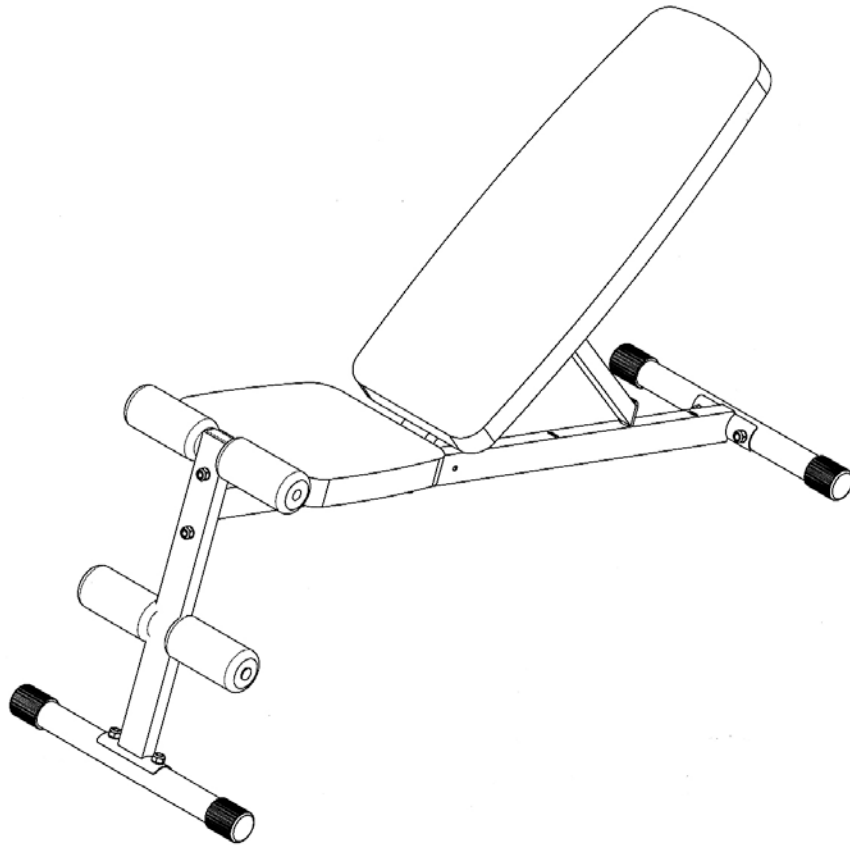


MP EX

F I T N E S S P R O D U C T S

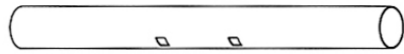
MARCY UTILITY BENCH SB-261W



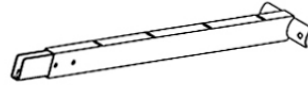
IMPORTANT: Please read the Important Safety Notice and Assembly Information in the Owner's manual before assembling this product.

Assembly Manual

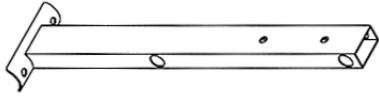
130927



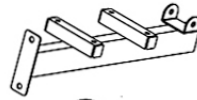
①×2



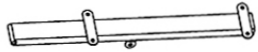
②×1



③×1



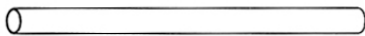
④×1



⑤×1



⑥×1



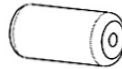
⑦×2



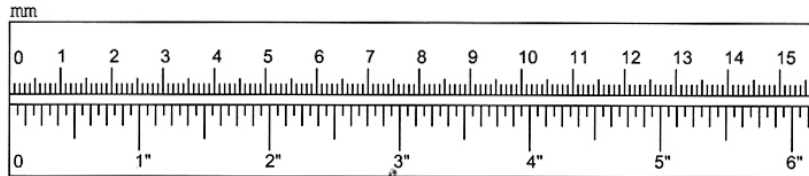
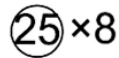
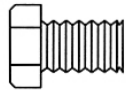
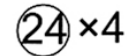
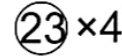
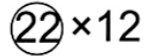
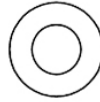
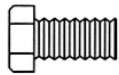
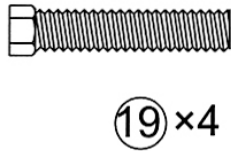
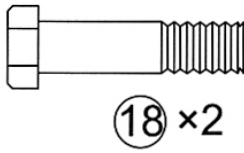
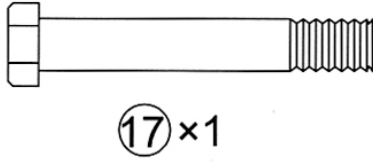
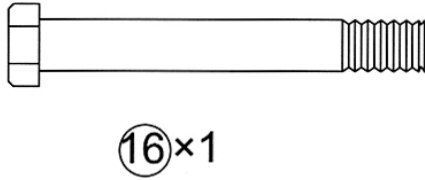
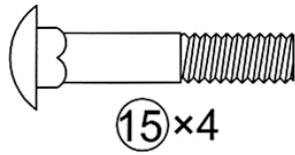
⑧×1



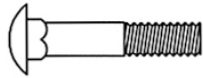
⑨×1



⑩×4



⑮ × 2



M10×2"

⑳ × 2

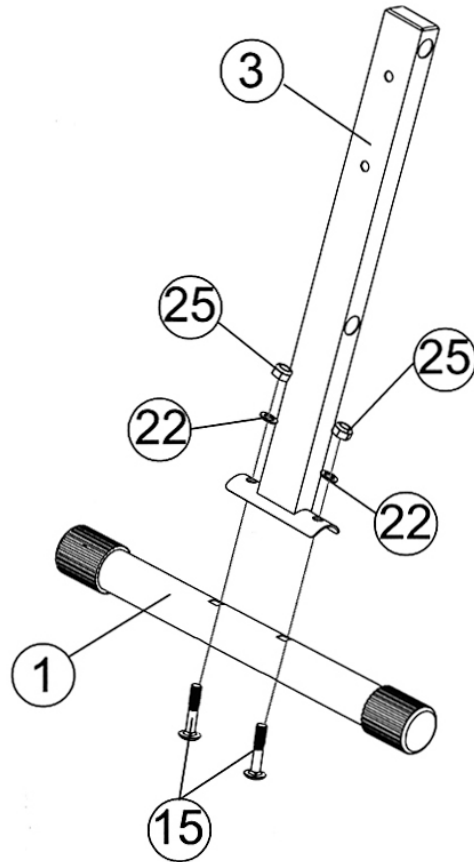
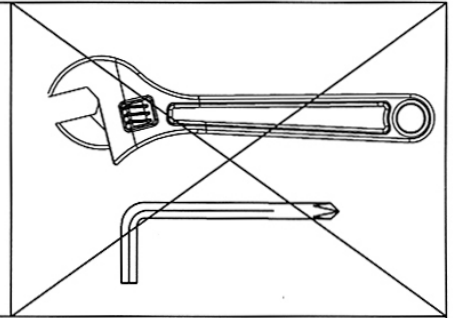


Ø 3/4"

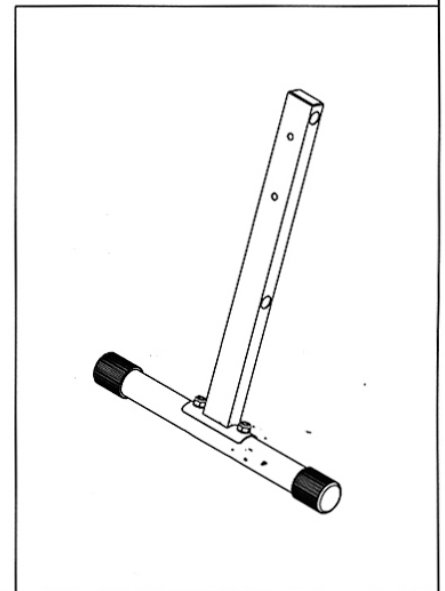
㉕ × 2

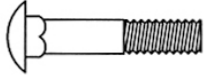
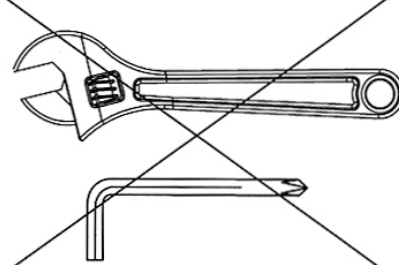




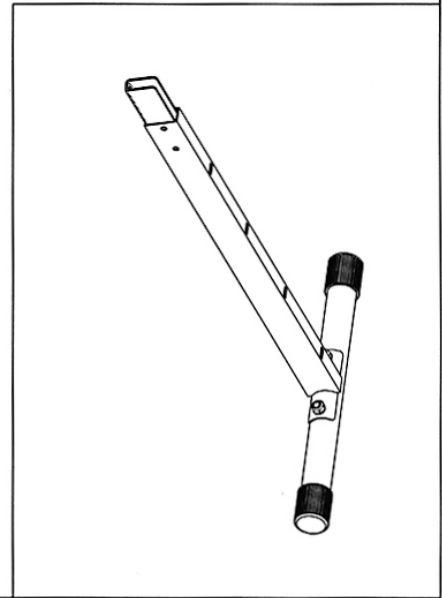
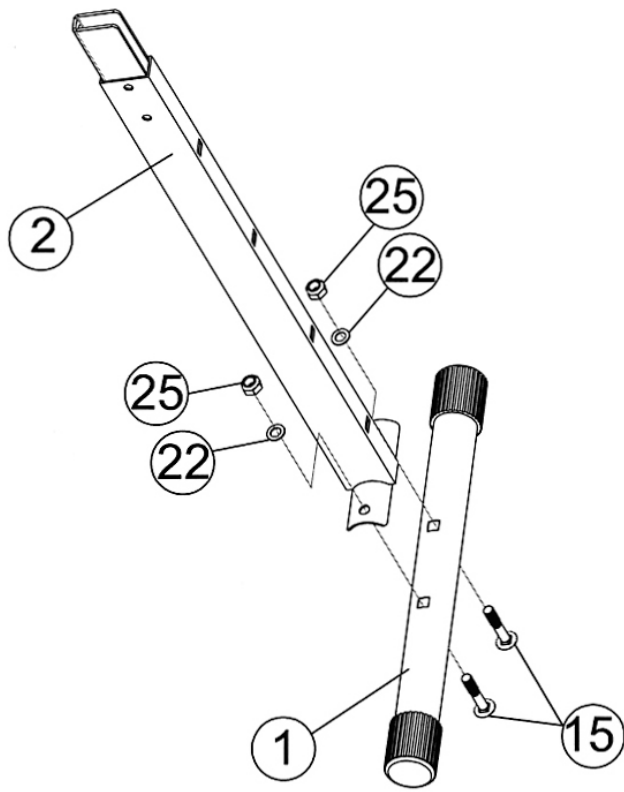
M10




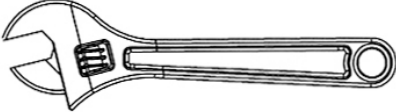

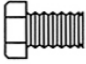


1

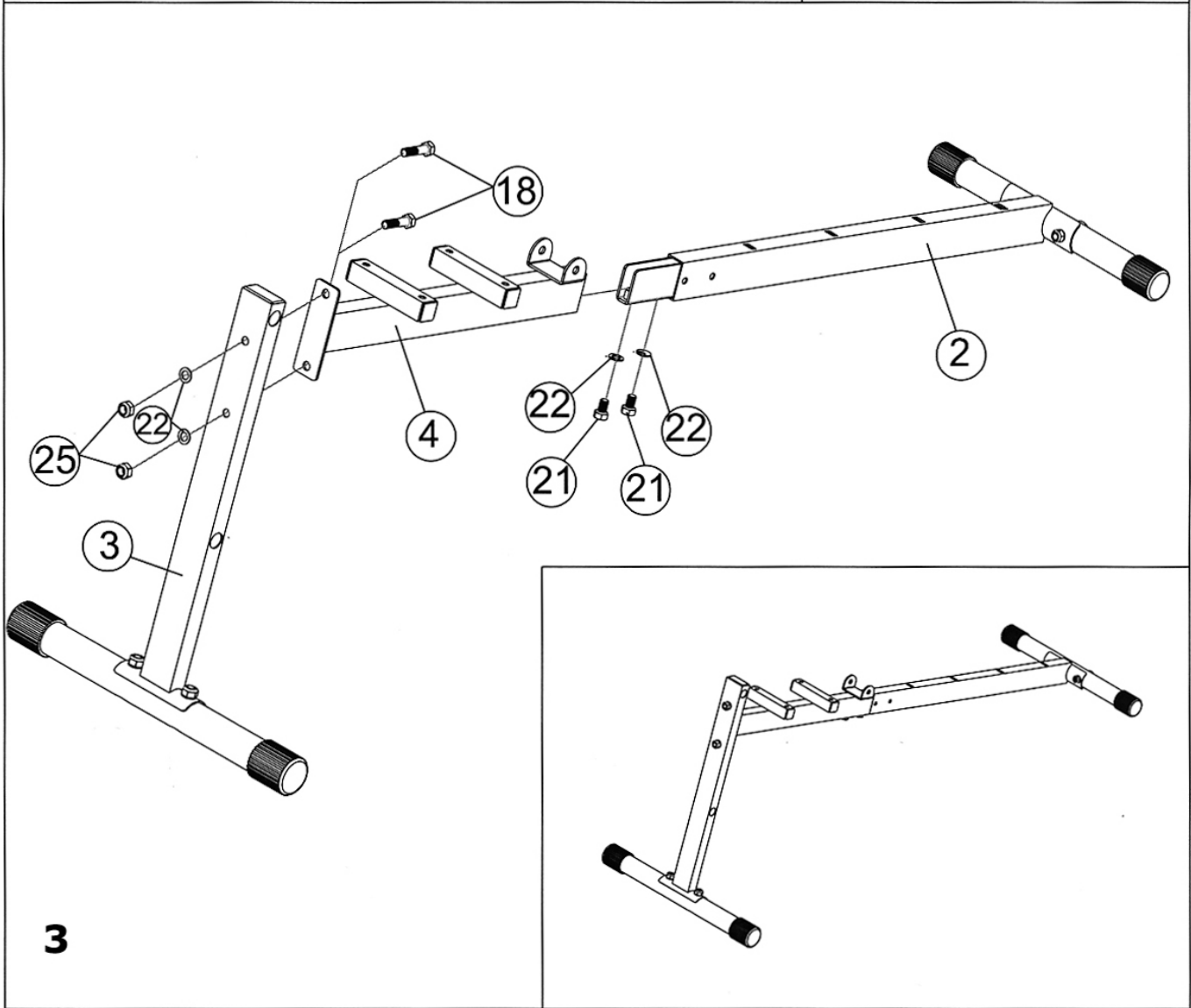


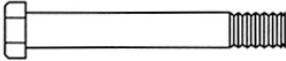
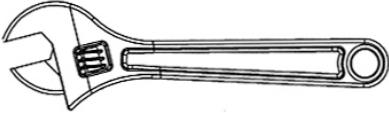

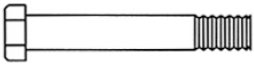


①⑤ × 2		M10×2"	
②② × 2		Ø 3/4"	
②⑤ × 2		M10	

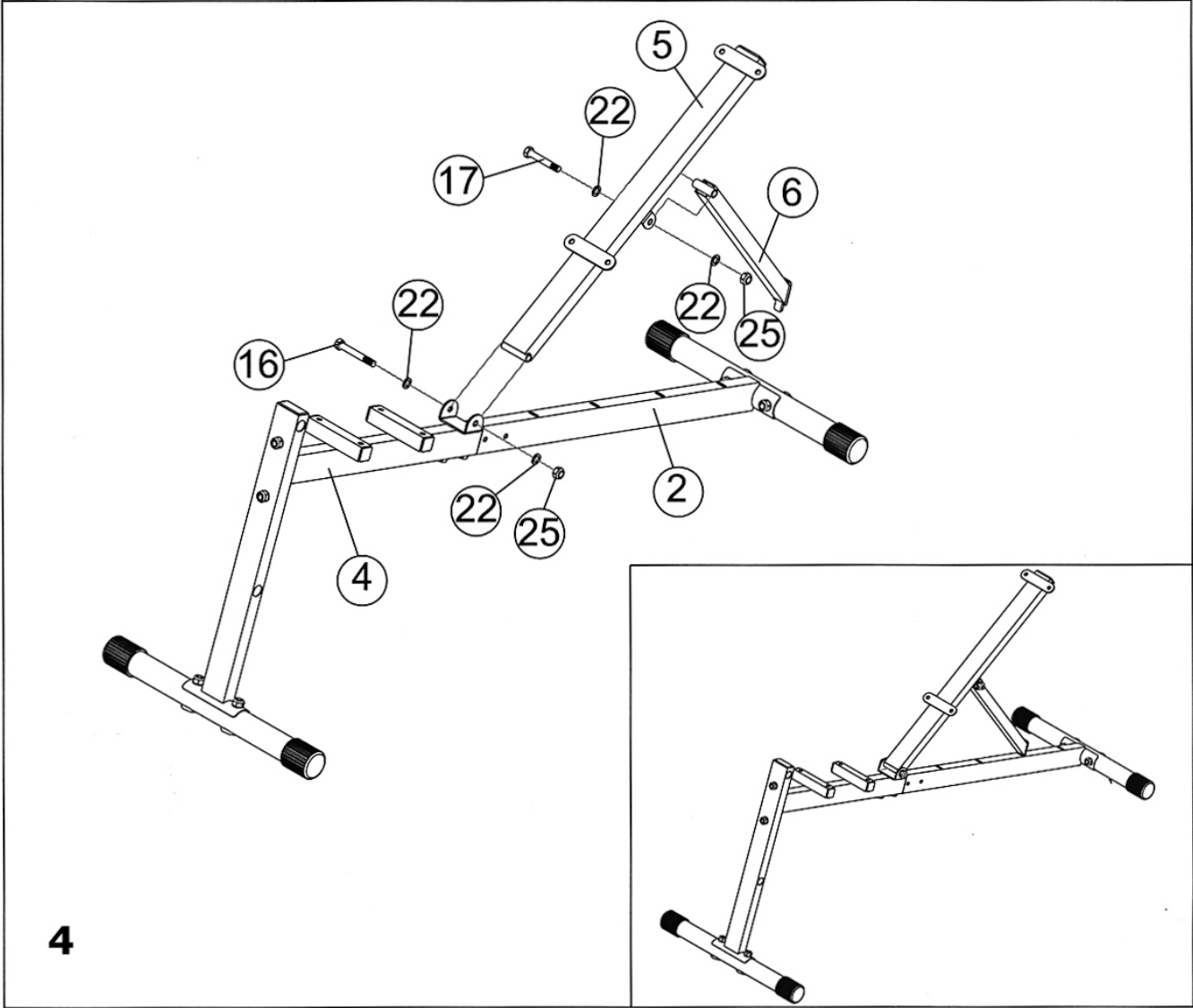



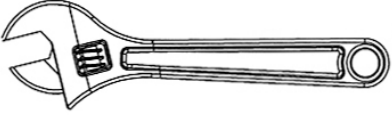
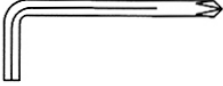
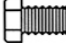


2

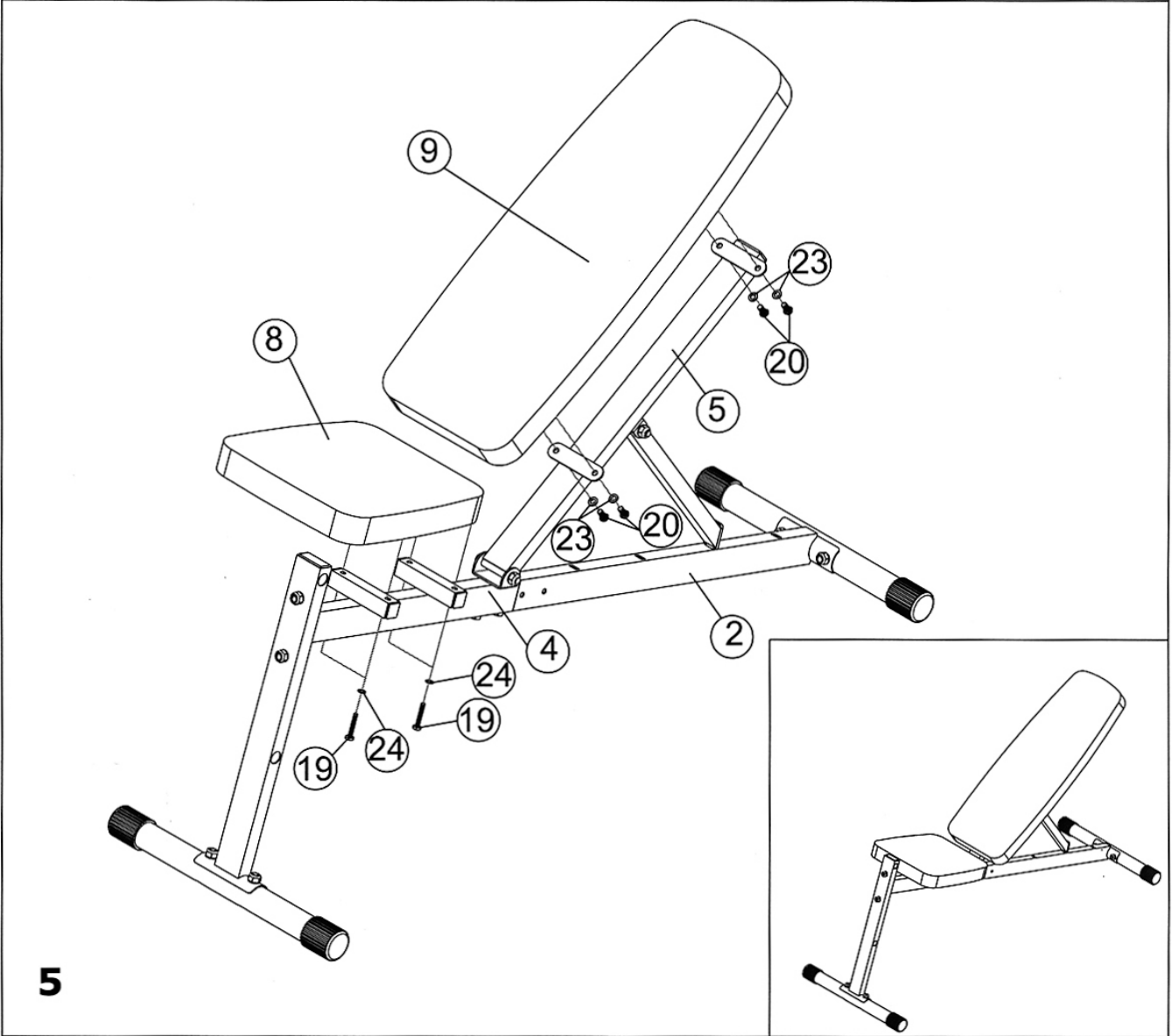
(18) × 2		M10 × 1 $\frac{5}{8}$ "	 
(21) × 2		M10 × $\frac{5}{8}$ "	
(22) × 4		Ø $\frac{3}{4}$ "	
(25) × 2		M10	

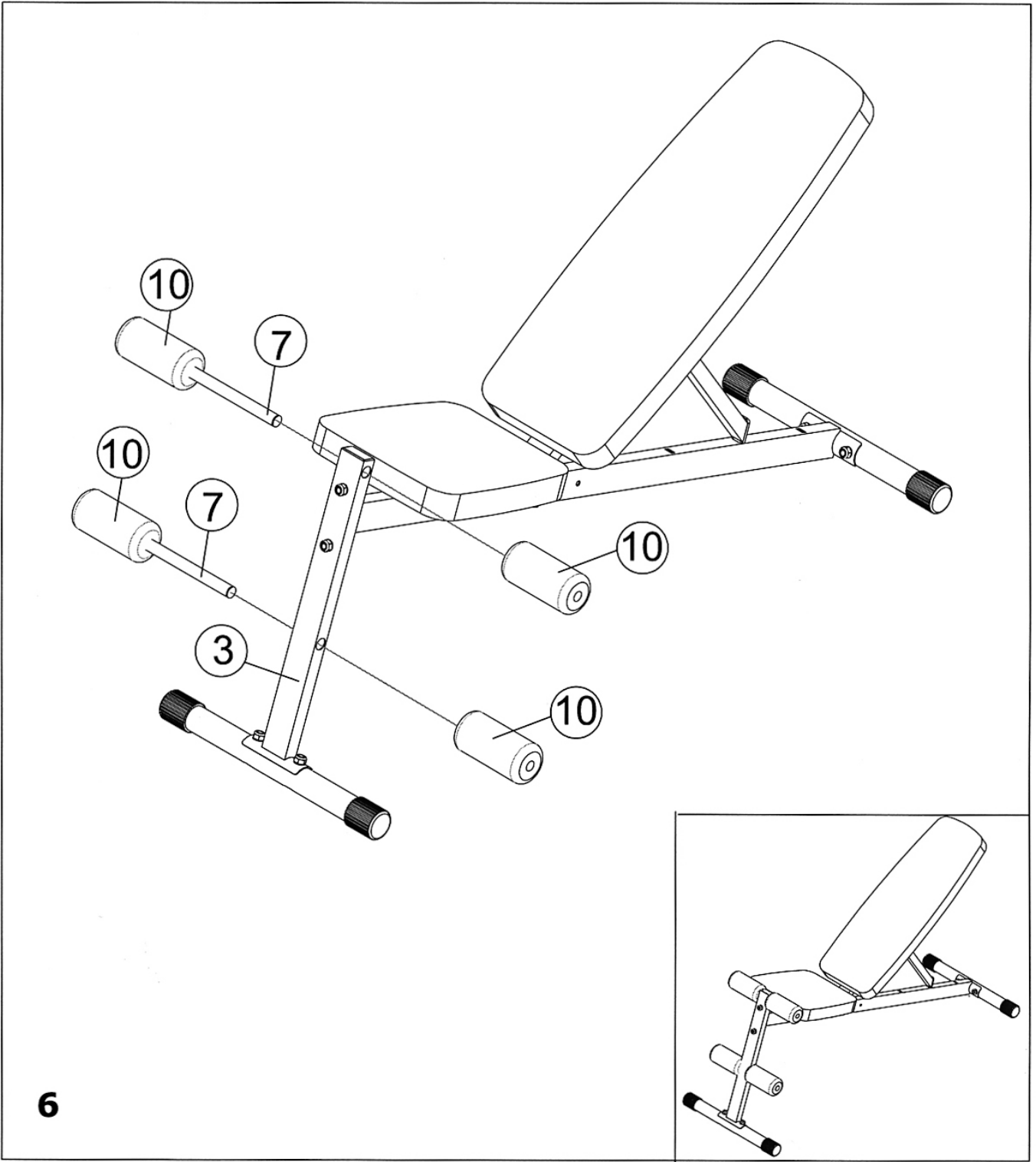


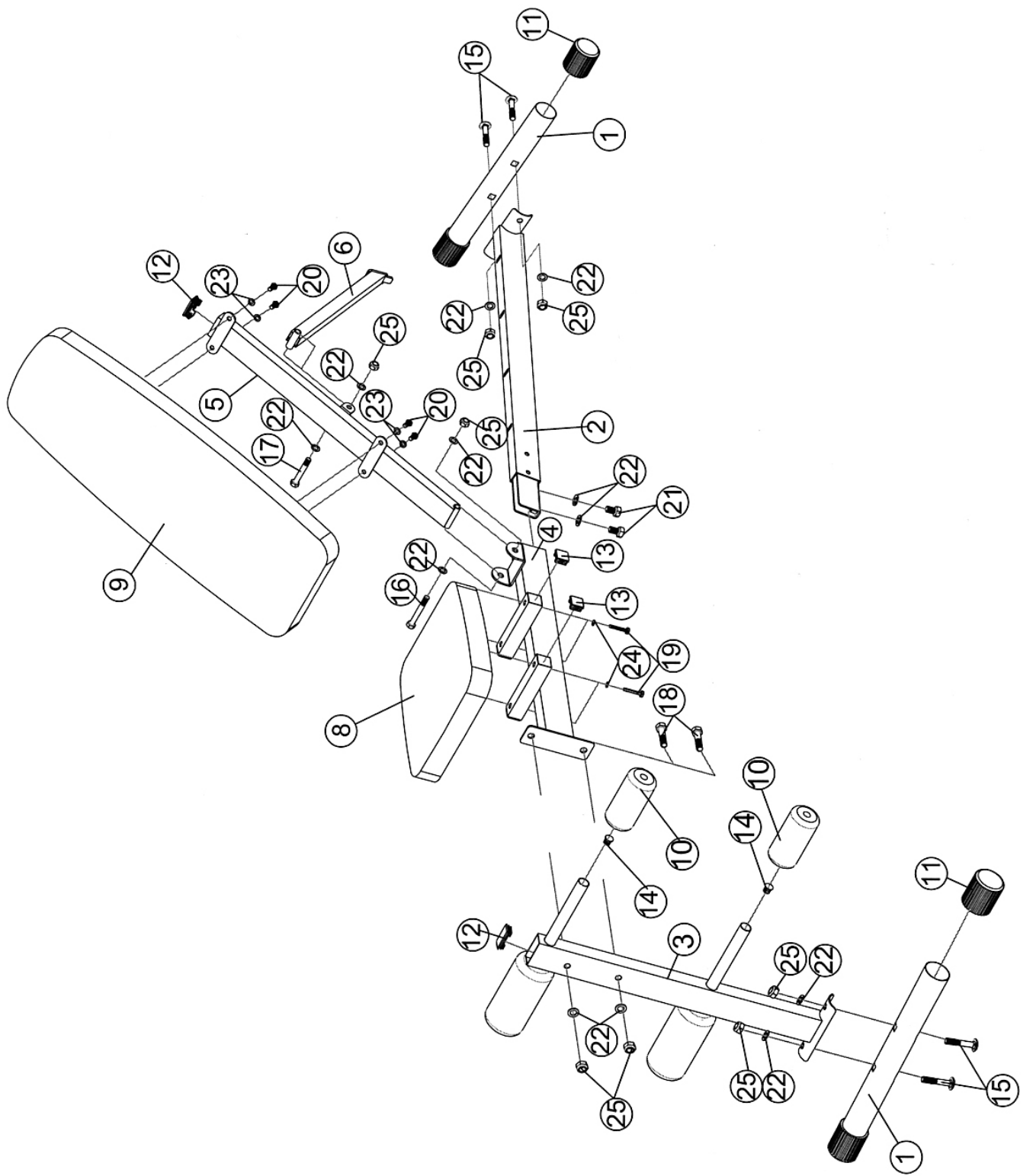
①6 ×1		M10×3"	 
①7 ×1		M10×2 1/2"	
②2 ×4		Ø 3/4"	
②5 ×2		M10	



①9 ×4		M6×1 1/2"	 
②0 ×4		M8×3/4"	
③3 ×4		Ø 5/8"	
④4 ×4		Ø 1/2"	







IMPEX® INC.

2801 S. Towne Ave, Pomona, CA 91766

Tel: (800) 999-8899 Fax: (626) 961-9966

www.impex-fitness.com

info@impex-fitness.com